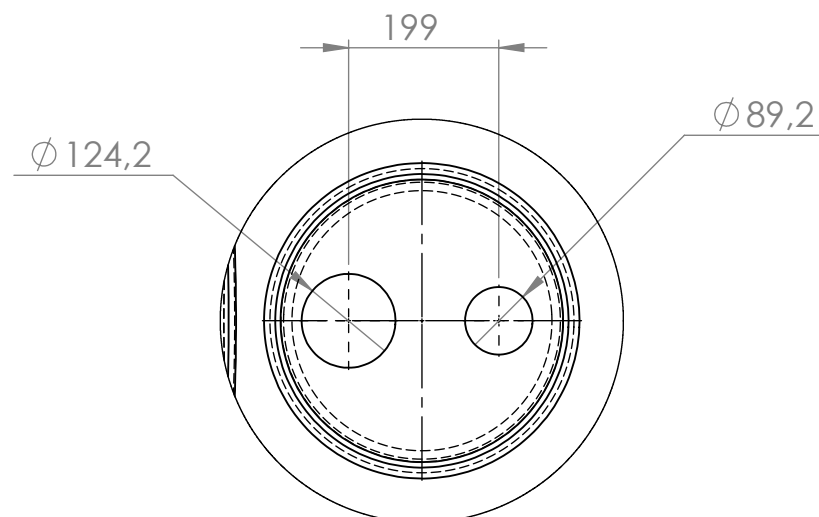
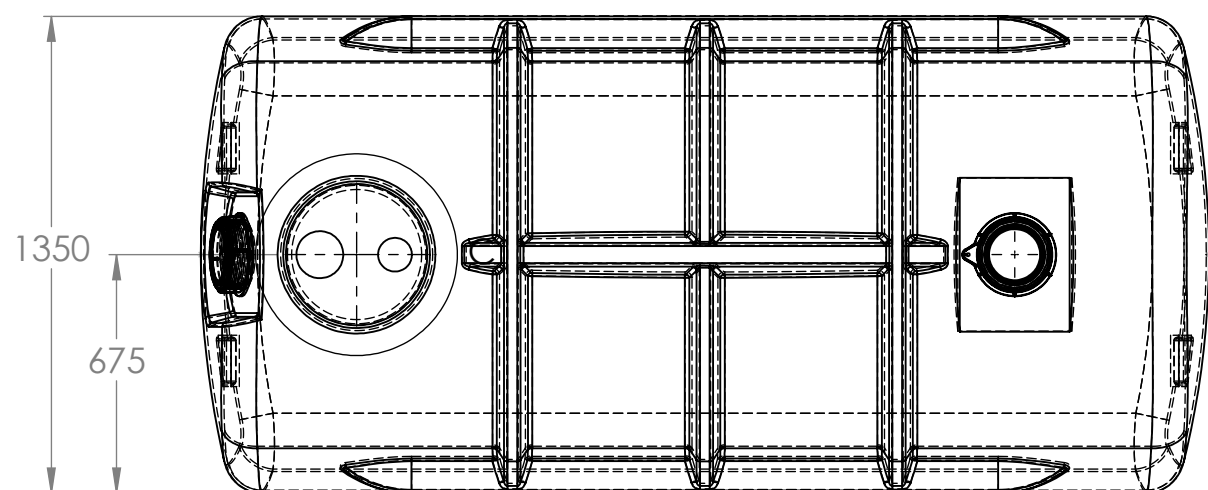
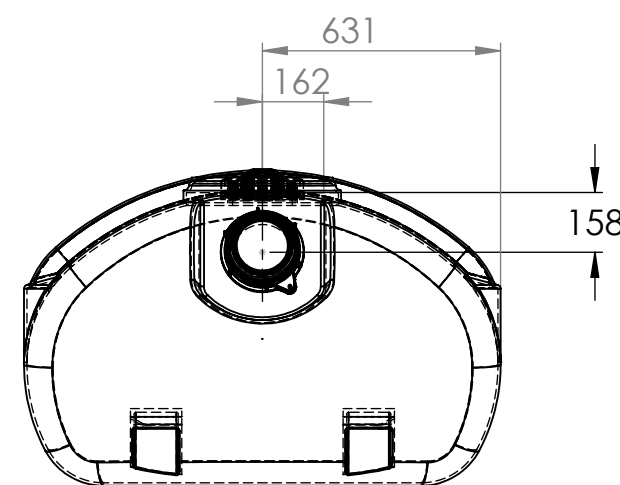
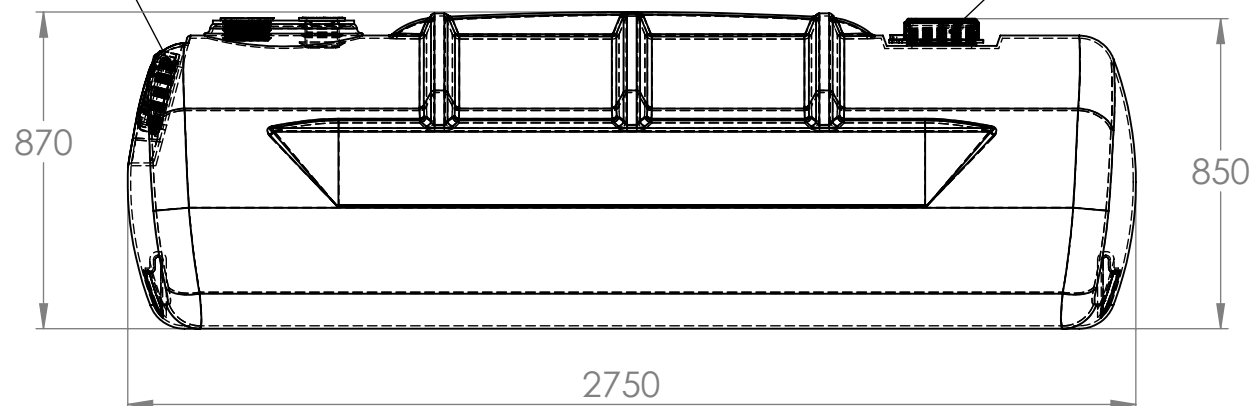


This drawing and design is the property of Cipax. Copying and distribution of the drawing or any contents is prohibited without written permission from authorised personnel at Cipax

8800159 - 185mm lokk

8800159 - 185mm lokk



DETAIL C
SCALE 1 : 10



REVISIONS				
ZONE	REV.	DESCRIPTION	DATE	APPROVED
B3	A	Justert lengdemål, endret layout og lagt til generelle tolleranser	28.02.2019	GEP

Generelle toleranser om ikke annet er oppgitt på tegning	Tilatte avvik for måleområde. Gjelder ved +20°C				
General tolerances if not other stated on drawing	Permissible deviations for basic length size range. Valid +20°C				
	0-20	>20-75	>75-150	>150-300	>300
	±0,5mm	±1mm	±1,5mm	±1,3%	±1%

Constructed by - date	Evaluated by	Approved by - date	General Tolerances	Material	Finish, Ra	View	Scale
MP 02.05.2012	GEP	28.02.2019	NS-ISO 2768-1	LDPE			1:20
Owner		Titel/Description					
		5722137 21610 -Industritank 2100L MK-tank					
Drawing number			Revision	Sheet size	Sheet		
947 - 39			A	A3	3(3)		